

# BUTTERFLY VALVE

# CW SERIES-REV. C\*

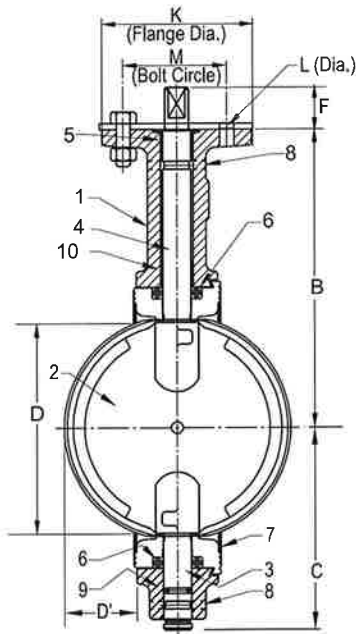
**2"-12" - 200 PSI (1380 kPa)**

## RATINGS

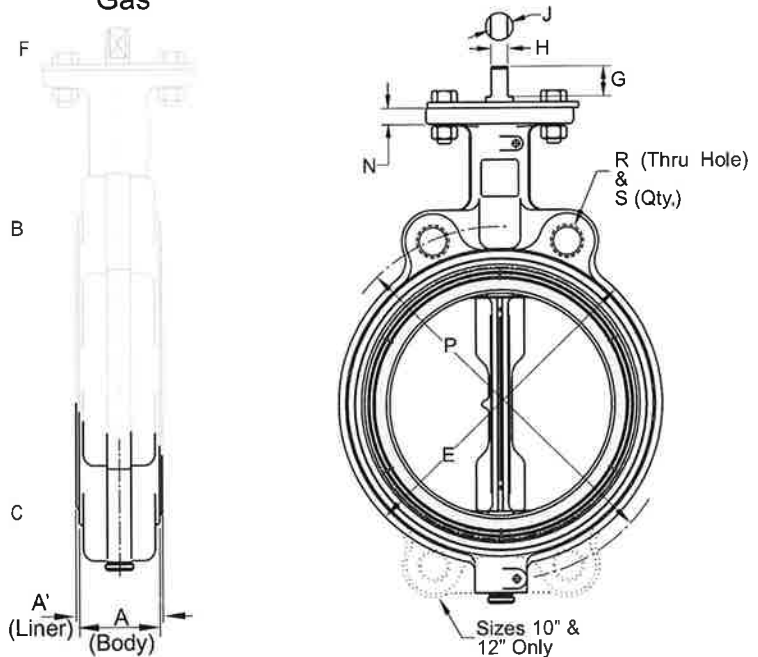
200 PSI Butterfly Valve  
Non Shock Water, Oil,  
Gas

## SPECIFICATIONS

MSS SP-67  
API-609



Approved by U.S. Coast Guard  
for use in Category A service as  
described in Title 46 Code of  
Federal Regulations 56.20-15.



## DIMENSIONS

|                | INCHES | 2           | 2-1/2       | 3           | 4           | 5           | 6           | 8            | 10           | 12           |
|----------------|--------|-------------|-------------|-------------|-------------|-------------|-------------|--------------|--------------|--------------|
| A (Body)       | mm     | 50          | 65          | 80          | 100         | 125         | 150         | 200          | 250          | 300          |
|                | INCHES | <b>1.69</b> | <b>1.81</b> | <b>1.81</b> | <b>2.07</b> | <b>2.19</b> | <b>2.19</b> | <b>2.38</b>  | <b>2.69</b>  | <b>3.06</b>  |
|                | mm     | 42.9        | 46.1        | 46.0        | 52.5        | 55.6        | 55.6        | 60.3         | 68.3         | 78.0         |
| A' (Liner)     | INCHES | <b>1.82</b> | <b>1.94</b> | <b>1.94</b> | <b>2.20</b> | <b>2.32</b> | <b>2.31</b> | <b>2.51</b>  | <b>2.82</b>  | <b>3.21</b>  |
|                | mm     | 46.1        | 49.1        | 49.1        | 55.8        | 58.8        | 58.7        | 63.6         | 71.5         | 82.0         |
| B              | INCHES | <b>5.50</b> | <b>6.00</b> | <b>6.25</b> | <b>7.00</b> | <b>7.53</b> | <b>8.00</b> | <b>9.38</b>  | <b>10.56</b> | <b>12.06</b> |
|                | mm     | 139.7       | 152.4       | 158.8       | 177.8       | 191.3       | 203.2       | 238.1        | 268.3        | 306.4        |
| C              | INCHES | <b>3.06</b> | <b>3.31</b> | <b>3.75</b> | <b>4.25</b> | <b>4.94</b> | <b>5.56</b> | <b>6.56</b>  | <b>7.88</b>  | <b>9.25</b>  |
|                | mm     | 77.8        | 84.1        | 95.3        | 108.0       | 125.4       | 141.3       | 166.7        | 200.0        | 235.0        |
| D (Chord Dia)  | INCHES | <b>1.49</b> | <b>2.01</b> | <b>2.64</b> | <b>3.67</b> | <b>4.71</b> | <b>5.68</b> | <b>7.72</b>  | <b>9.70</b>  | <b>11.68</b> |
|                | mm     | 37.8        | 51.1        | 67.1        | 93.2        | 119.6       | 143.8       | 196.1        | 246.4        | 296.7        |
| D' (Intrusion) | INCHES | <b>0.28</b> | <b>0.44</b> | <b>0.69</b> | <b>1.06</b> | <b>1.50</b> | <b>1.94</b> | <b>2.84</b>  | <b>3.69</b>  | <b>4.50</b>  |
|                | mm     | 7.1         | 11.1        | 17.5        | 27.0        | 38.1        | 49.2        | 72.2         | 93.7         | 114.3        |
| E              | INCHES | <b>4.13</b> | <b>4.88</b> | <b>5.38</b> | <b>6.88</b> | <b>7.75</b> | <b>8.75</b> | <b>11.00</b> | <b>13.38</b> | <b>16.13</b> |
|                | mm     | 104.8       | 123.8       | 136.5       | 174.6       | 196.9       | 222.3       | 279.4        | 339.7        | 409.6        |
| F              | INCHES | <b>1.13</b> | <b>1.13</b> | <b>1.13</b> | <b>1.13</b> | <b>1.13</b> | <b>1.13</b> | <b>1.50</b>  | <b>1.50</b>  | <b>1.50</b>  |
|                | mm     | 28.6        | 28.6        | 28.6        | 28.6        | 28.6        | 28.6        | 38.1         | 38.1         | 38.1         |
| G              | INCHES | <b>0.81</b> | <b>0.81</b> | <b>0.81</b> | <b>0.81</b> | <b>0.81</b> | <b>0.81</b> | <b>1.06</b>  | <b>1.06</b>  | <b>1.06</b>  |
|                | mm     | 20.6        | 20.6        | 20.6        | 20.6        | 20.6        | 20.6        | 27.0         | 27.0         | 27.0         |
| H              | INCHES | <b>0.35</b> | <b>0.35</b> | <b>0.35</b> | <b>0.40</b> | <b>0.40</b> | <b>0.40</b> | <b>0.53</b>  | <b>0.71</b>  | <b>0.71</b>  |
|                | mm     | 8.9         | 8.9         | 8.9         | 10.2        | 10.2        | 11.2        | 13.5         | 18.0         | 18.0         |
| J              | INCHES | <b>0.50</b> | <b>0.50</b> | <b>0.50</b> | <b>0.56</b> | <b>0.56</b> | <b>0.62</b> | <b>0.75</b>  | <b>1.00</b>  | <b>1.00</b>  |
|                | mm     | 12.6        | 12.6        | 12.6        | 14.2        | 14.2        | 15.8        | 19.0         | 25.4         | 25.4         |
| K              |        | 4           | 4           | 4           | 4           | 4           | 4           | 6            | 6            | 6            |
| L              | INCHES | <b>0.44</b> | <b>0.44</b> | <b>0.44</b> | <b>0.44</b> | <b>0.44</b> | <b>0.44</b> | <b>0.56</b>  | <b>0.56</b>  | <b>0.56</b>  |
|                | mm     | 11.1        | 11.1        | 11.1        | 11.1        | 11.1        | 11.1        | 14.3         | 14.3         | 14.3         |
| M              | INCHES | <b>3.25</b> | <b>3.25</b> | <b>3.25</b> | <b>3.25</b> | <b>3.25</b> | <b>3.25</b> | <b>5.00</b>  | <b>5.00</b>  | <b>5.00</b>  |
|                | mm     | 82.6        | 82.6        | 82.6        | 82.6        | 82.6        | 82.6        | 127.0        | 127.0        | 127.0        |
| N              | INCHES | <b>0.44</b> | <b>0.44</b> | <b>0.44</b> | <b>0.44</b> | <b>0.44</b> | <b>0.44</b> | <b>0.50</b>  | <b>0.50</b>  | <b>0.50</b>  |
|                | mm     | 11.1        | 11.1        | 11.1        | 11.1        | 11.1        | 11.1        | 12.7         | 12.7         | 12.7         |
| P              | INCHES | <b>4.75</b> | <b>5.50</b> | <b>6.00</b> | <b>7.50</b> | <b>8.50</b> | <b>9.50</b> | <b>11.75</b> | <b>14.25</b> | <b>17.00</b> |
|                | mm     | 120.7       | 139.7       | 152.4       | 190.5       | 215.9       | 241.3       | 298.5        | 362.0        | 431.8        |
| R              |        | 5/8-11      | 5/8-11      | 5/8-11      | 5/8-11      | 3/4-10      | 3/4-10      | 3/4-10       | 7/8-9        | 7/8-9        |
| S              |        | 2           | 2           | 2           | 2           | 2           | 2           | 2            | 4            | 4            |

CL\_101000\_MAT.XLS

**\*Note:** The wetted surface of this product (In any material combination.) contacted by consumable water contains less than one quarter of one percent (.25%) of lead by weight.

The information presented on this sheet is correct at the time of publication. Milwaukee Valve reserves the right to change design, and/or material specifications without notice. For the Installation, Operation and Maintenance Manual (IOM) see the engineering section on our website. For the most current information access [www.milwaukeevalve.com](http://www.milwaukeevalve.com)



C L 2 2 3 E

| VALVE SERIES | BODY STYLE                     | OPERATOR  | BODY MATERIAL  | DISC MATERIAL       | LINER MATERIAL |
|--------------|--------------------------------|---|----------------|---------------------|----------------|
| C - C SERIES | L - LUG BODY<br>W - WAFER BODY | 1 - VALVE ONLY<br>2 - LEVER HANDLE<br>3 - GEAR OPERATOR | 2 - CAST IRON* | 3 - ALUMINUM/BRONZE | E - EPDM       |

\* MILWAUKEE VALVE RESERVES THE RIGHT TO UPGRADE TO DI BODY WITHOUT NOTICE FOR NO ADDITIONAL COST.